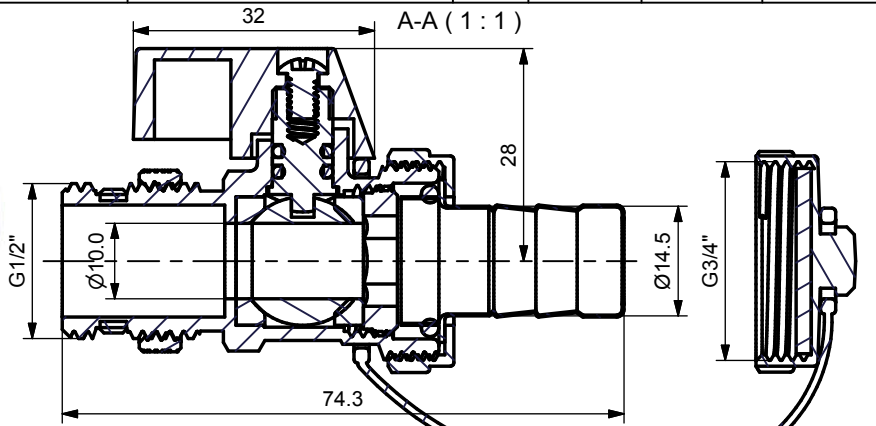
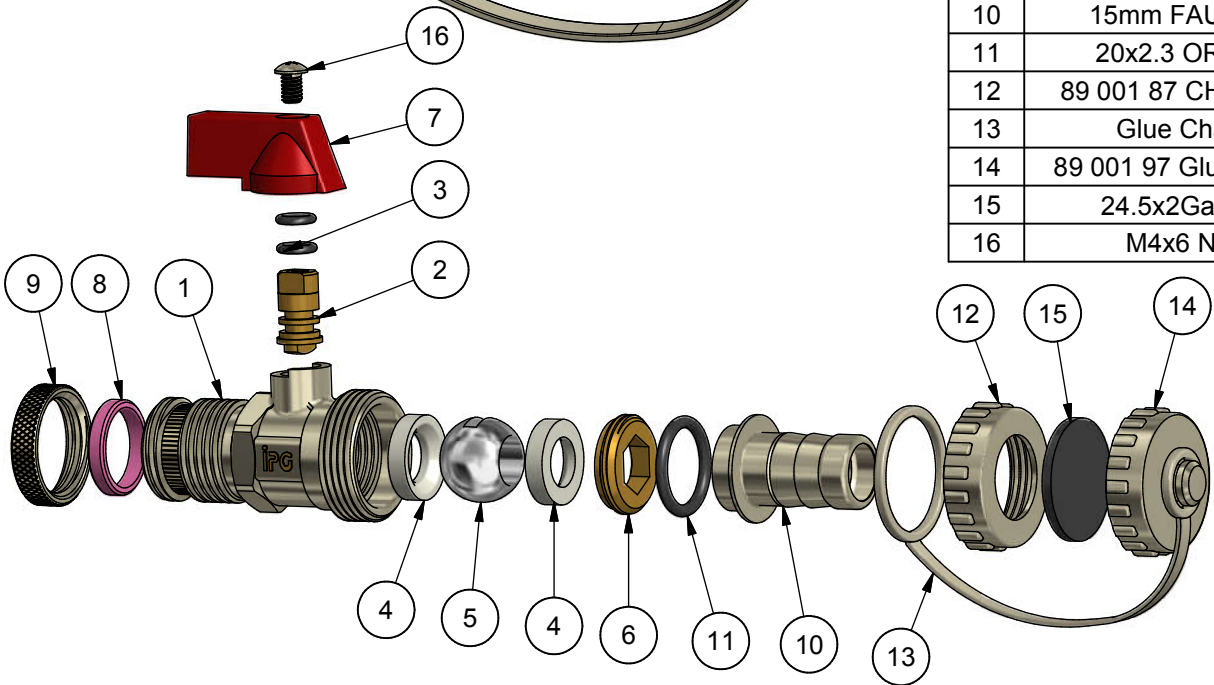


BOM						
NO.	P/N	Name	Pcs	Weight	Material	Note
1	89 000 01 Body	89 000 01 Body	1	57.9 g	CW617N	
2	89 000 01 Stem	89 000 01 Stem	1	4.8 g	CW617N	
3	8x1.6 O环 NBR	8x1.6 O环	2	0.0 g	EPDM	
4	17x10x3.8 MFZ	17x10x3.8 seat	2	1.0 g	PTFE	
5	20x12x3Ball	20x12x3 Ball	1	10.9 g	CW617N	
6	89 000 01 Tighten nut	89 000 01 Tighten nut	1	6.9 g	CW617N	
7	89 000 01Handle	89 000 01Handle	1	6.2 g	AL	
8	89 001 87 RING	89 001 87 RING	1	0.6 g	PTFE	
9	89 000 01 Regulation Nut	89 000 01 Regulation Nut	1	6.0 g	CW617N	
10	15mm FAUCET	1/2 FAUCET	1	4.3 g	CW617N	
11	20x2.3 ORING	20x2.3 ORING	1	0.2 g	EPDM	
12	89 001 87 CHECHIA	89 001 87 CHECHIA	1	11.5 g	CW617N	
13	Glue Chain	Glue Chain	1	1.2 g	LPC	
14	89 001 97 Glue Chain	89 001 97 Glue Chain	1	14.4 g	CW617N	
15	24.5x2Gasket	24.5x2 Gasket	1	0.9 g	EPDM	
16	M4x6 Nut	M4x6 Nut	1	0.8 g	Q235	



-20°C bis 120°C PN20

DRAW.:  
CHK.:  
APVD.:

Material: CW617N  
Date: Design State: Finish:  
Scale:

NOTICE: These drawing and specifications are the property of HongJia Vale and may not be reproduced, copied or used without written permission.

0-6 = ±0.1  
6-30 = ±0.2  
30-120 = ±0.3  
120-400 = ±0.5

IPG GmbH

Description: KFE Kugelhahn 1/2  
Part No: 89 000 01  
Sheet 1 / 1