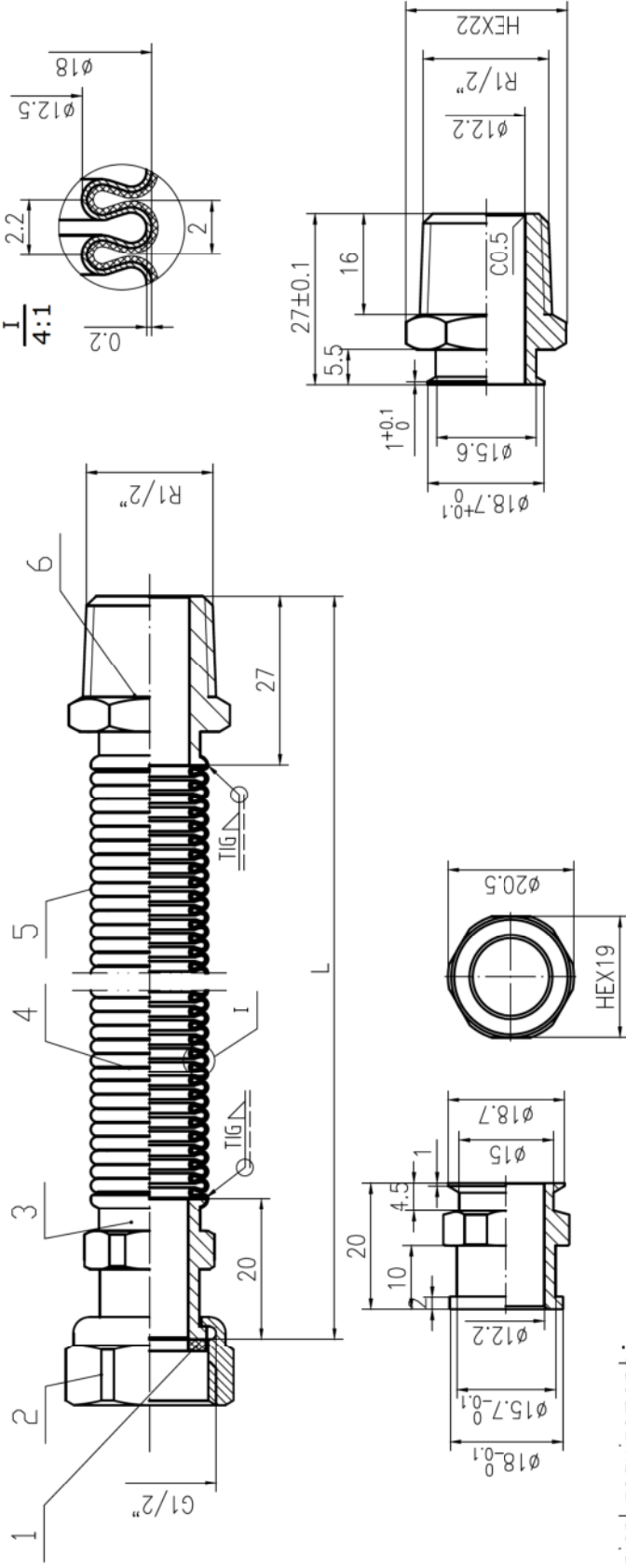



IPG-8901597-8901601



Technical requirement :

1. Annealing and compression after hose body with cover
2. weld joint to be uniform
3. No scratches or other defects on the surface of the hose
4. Wave uniformity
5. Working pressure 3Bar
6. Working temperature: Max 110°C

6	TZX-201-15-1	Male	1	ASTM304			
5	TZX-404-14-22	Heat shrink tube	1	PE			φ22
4	TZX-001-180-1	Metal hose	1	ASTM316L			φ18x0.2
3	TZX-308-15-1	Joint	1	ASTM304			
2	TZX-101-15-1	Nut	1	ASTM304			
1	TZX-401-15-1	Gaskets	2	NBR			φ18.7xφ12x2.7
No.	Code	Name	QTY.	Material	Remarks		
							
designed					weight	scale	1/2" MF PVC COVER
checked						15:1	
					Sheet		IPG-8901597-8901601
					approved		

CODE 8901597 8901598 8901599 8901600 8901601

L 75/91 110/160 200/320 260/450 500/900