



MAGNA3

Further product documentation



net.grundfos.com/qr/i/98091805



MAGNA3



MAGNA3 D





MAGNA3 F



MAGNA3 D F





Max. 95 % RH
IPX4D



Min./Max.
-10 °C – +110 °C



PN 6:6 bar / 0.6 MPa
PN 10:10 bar / 1.0 MPa
PN 16:16 bar / 1.6 MPa

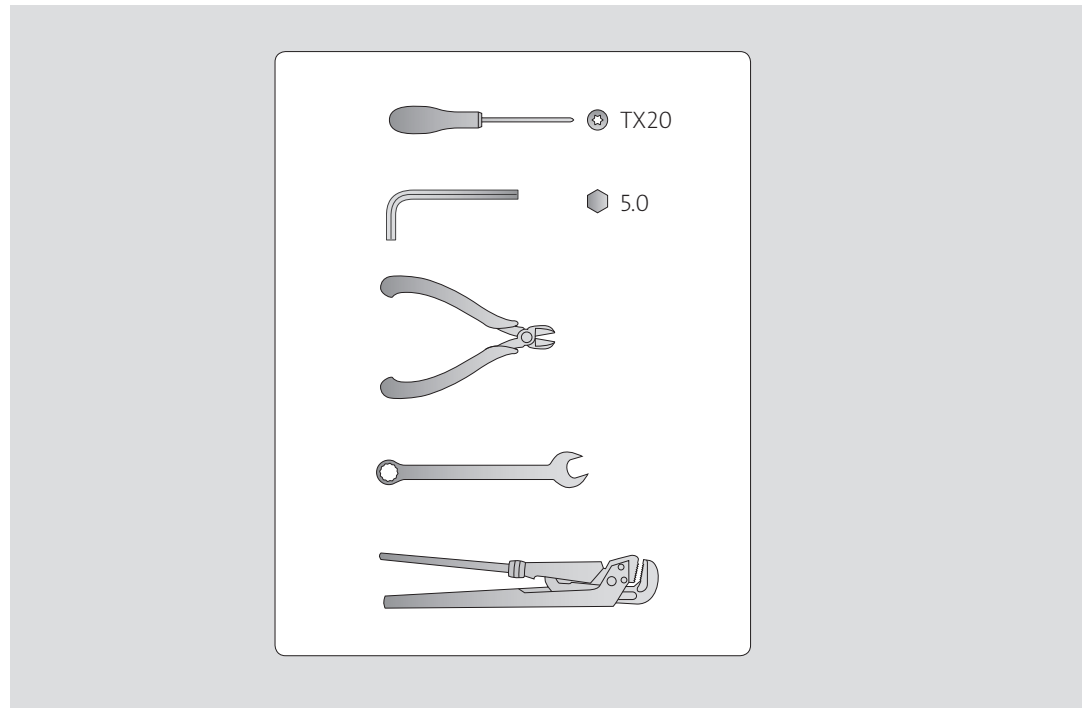
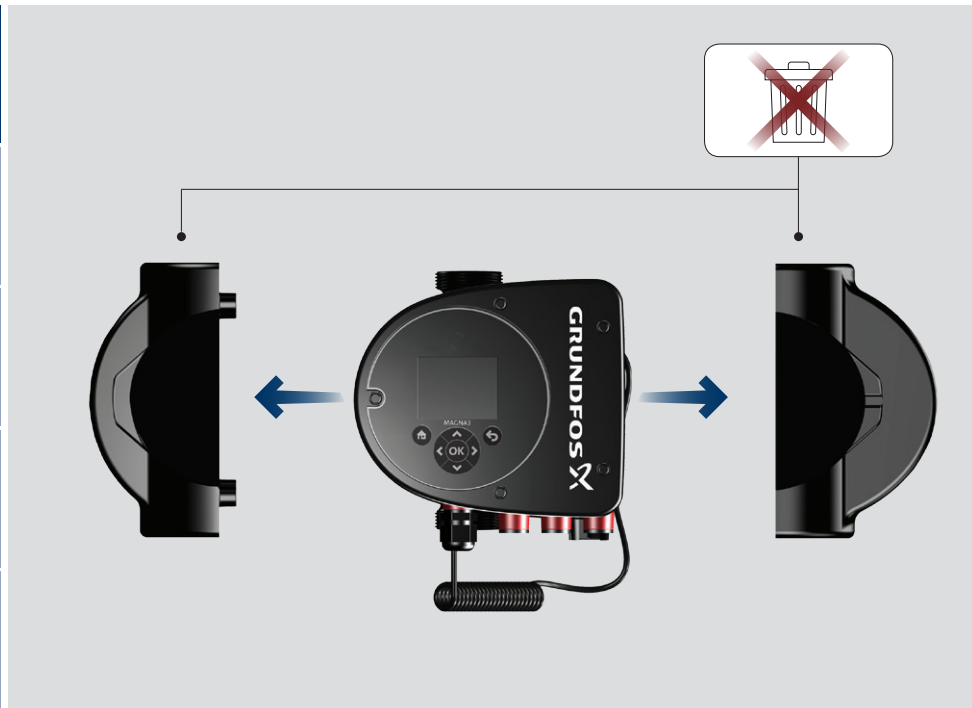


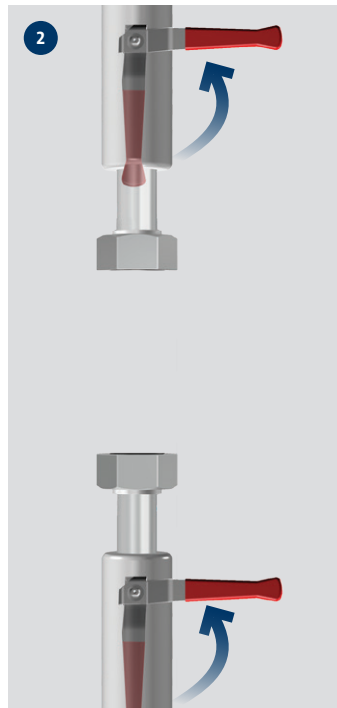
Min./Max.
0 °C – +40 °C

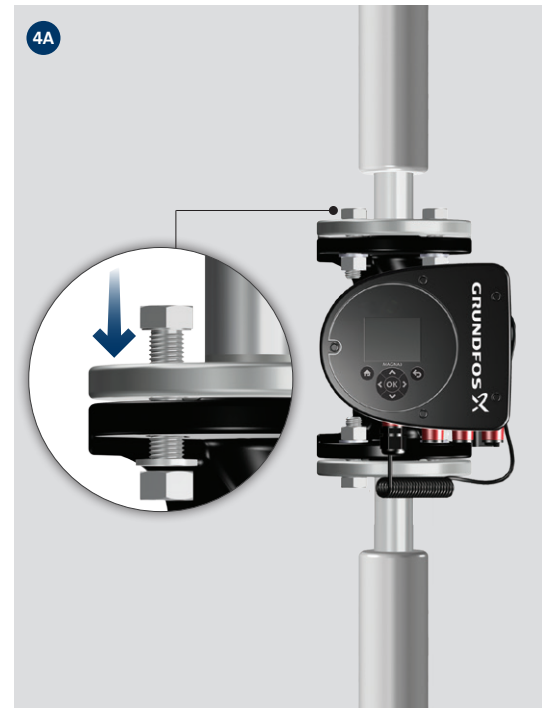


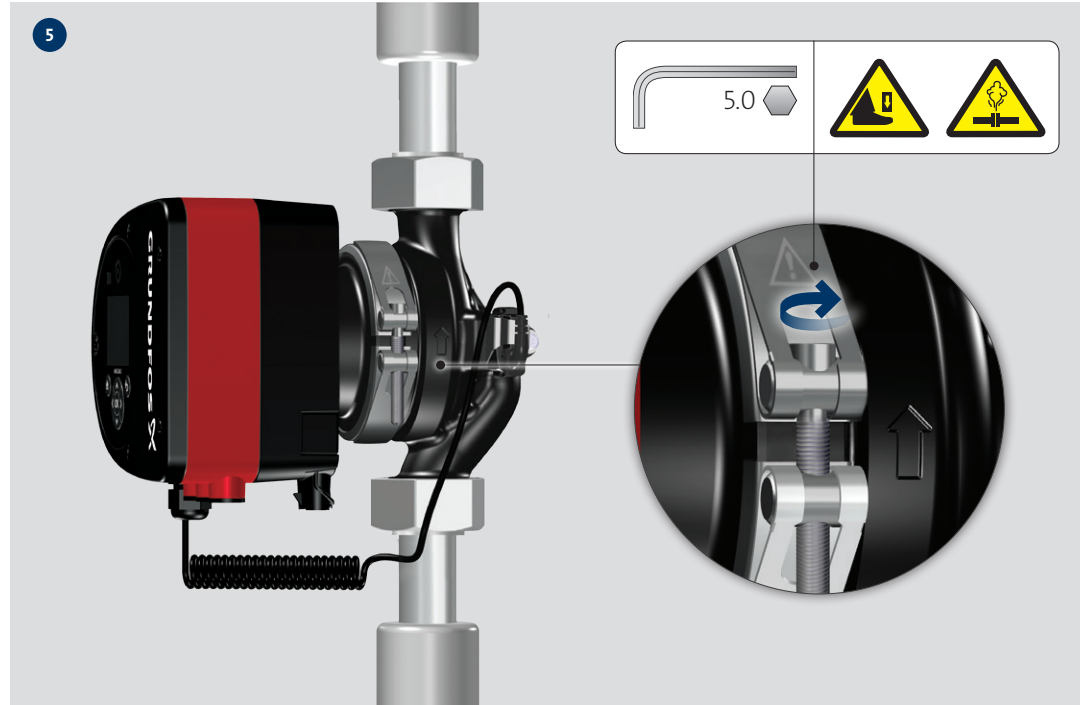
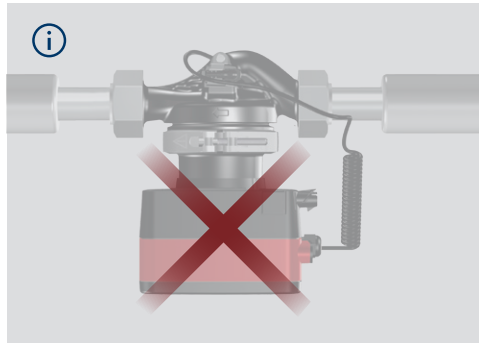
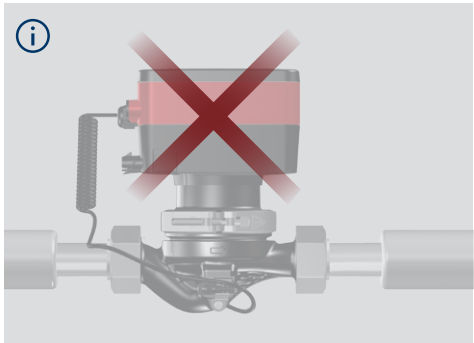
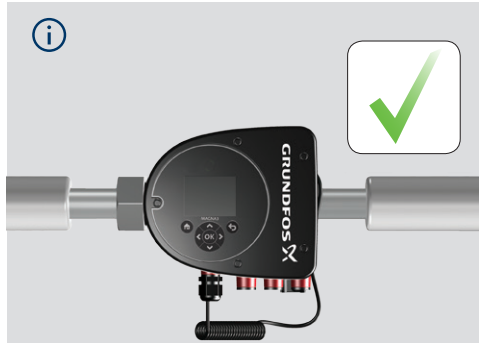
< 43 dB(A)

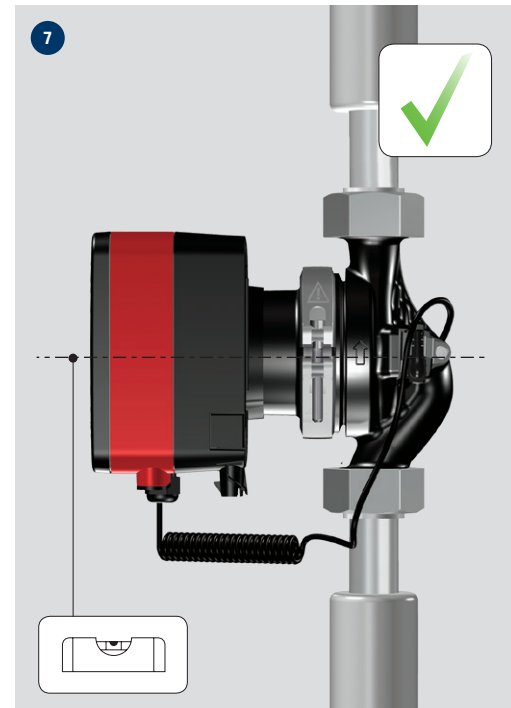
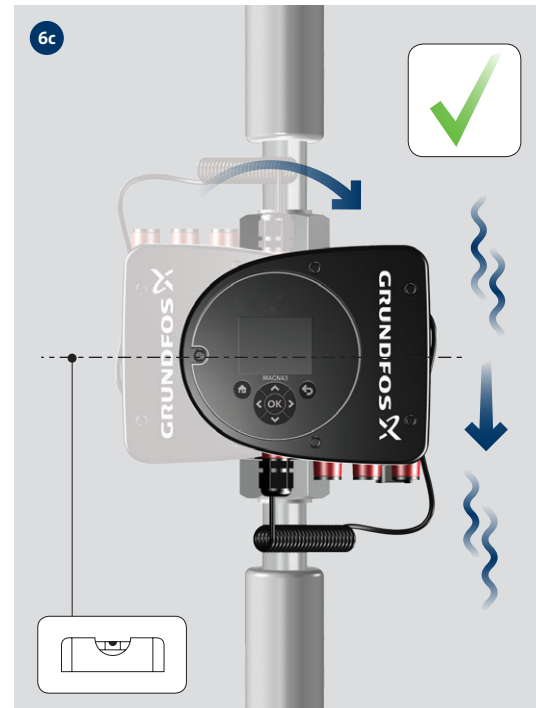
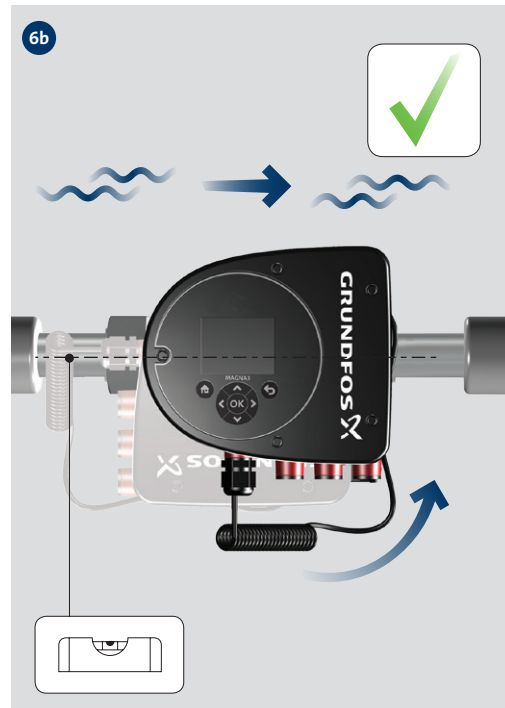
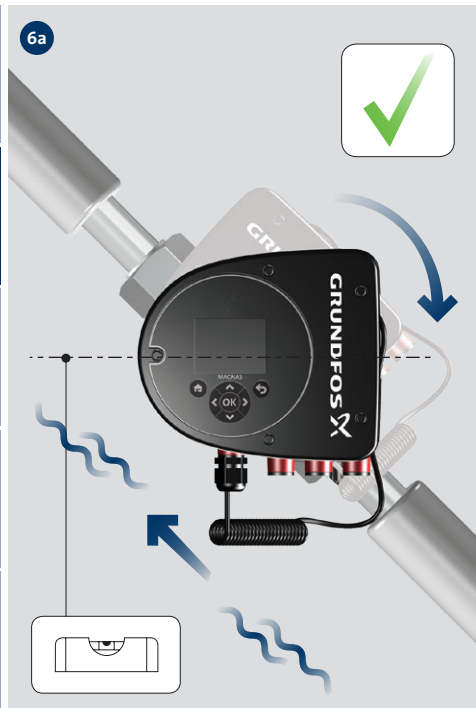






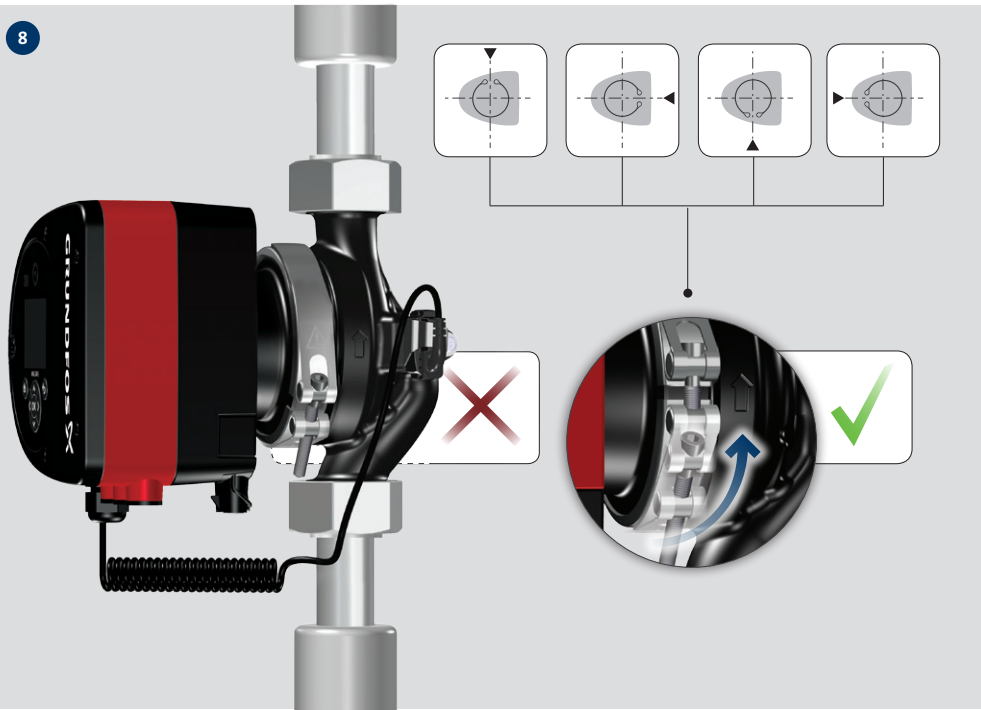




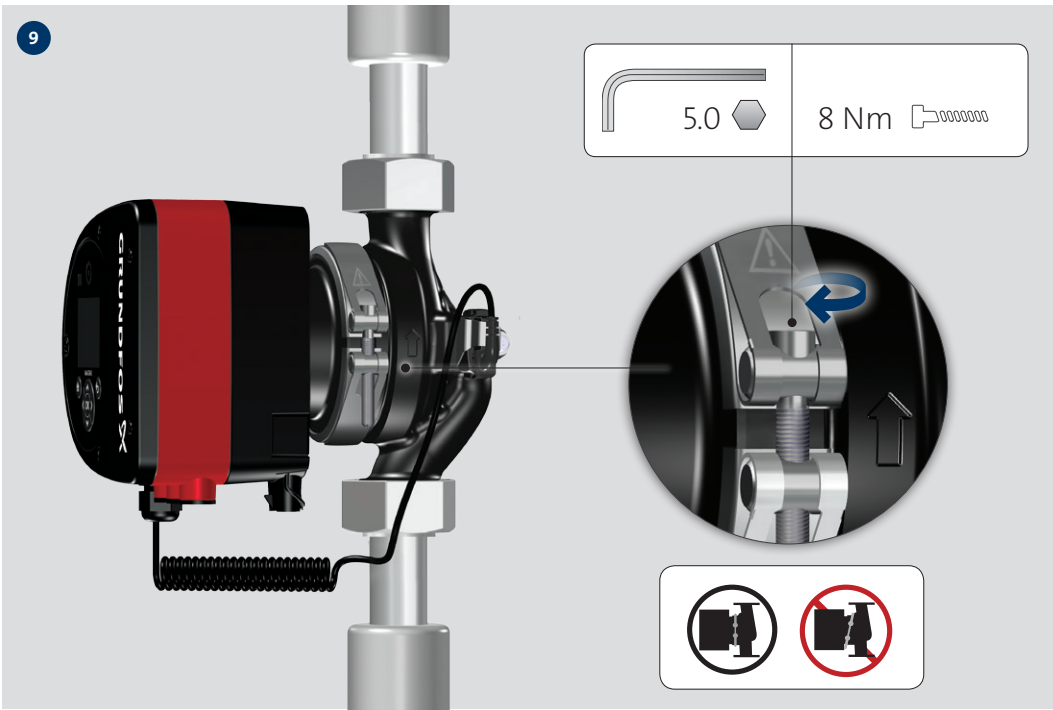




8

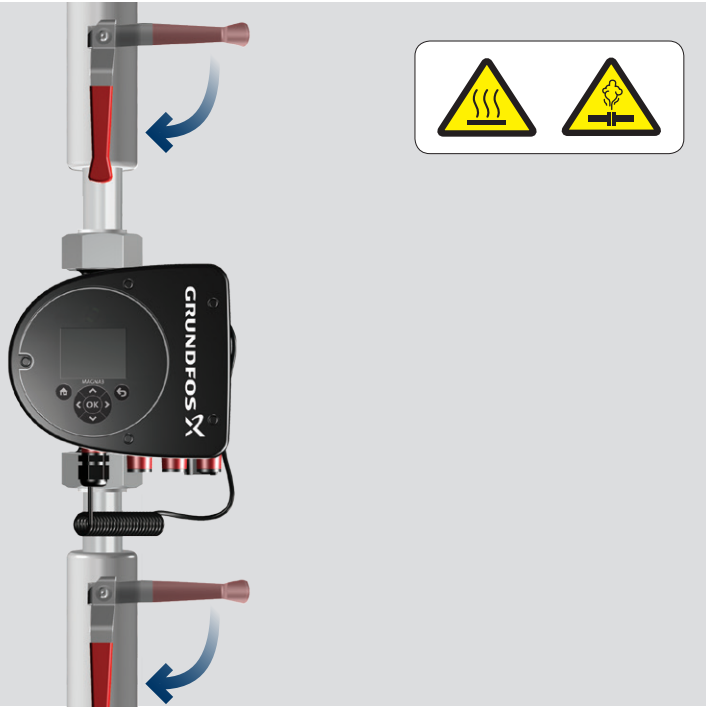


9

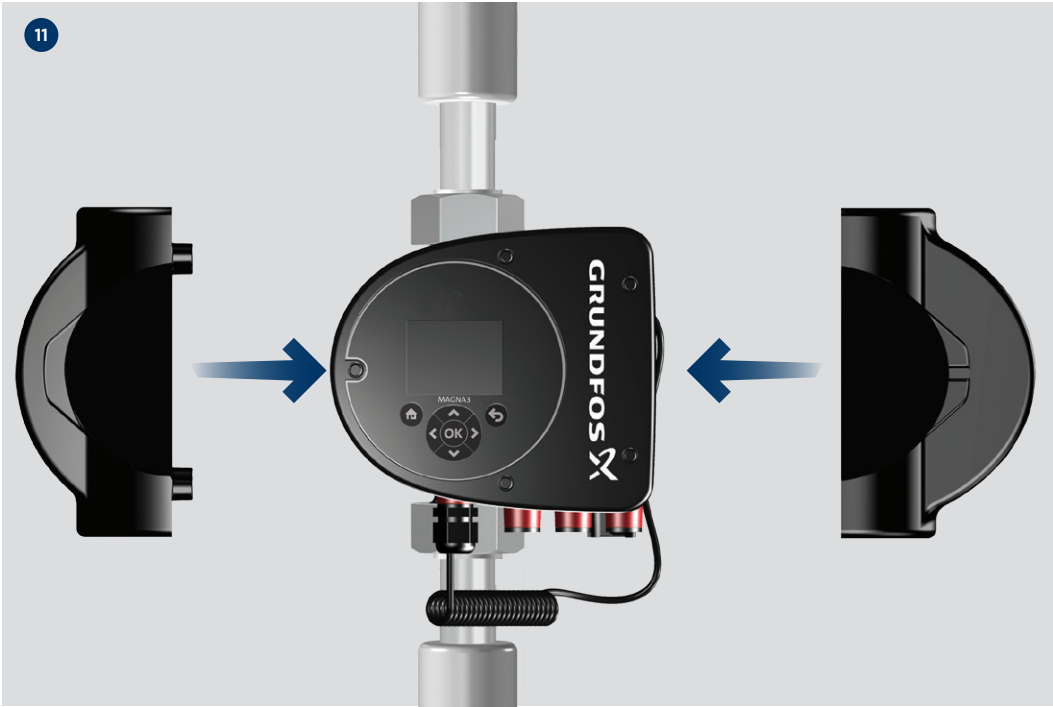


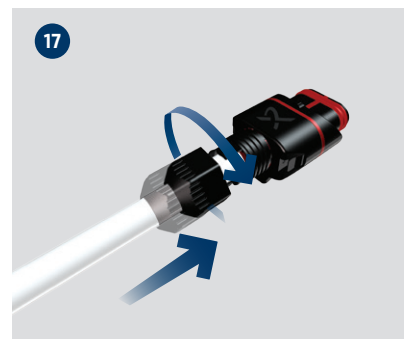
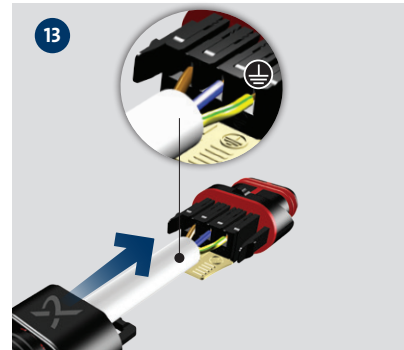
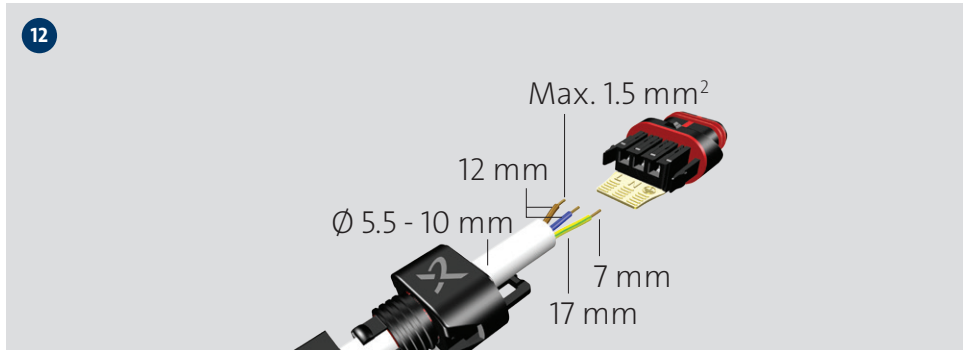


10



11







19

1x 230 V ± 10 %
~ 50/60 Hz ⚡



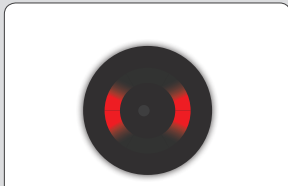
i



Power cycle
Max. 4 starts
per 60 minutes



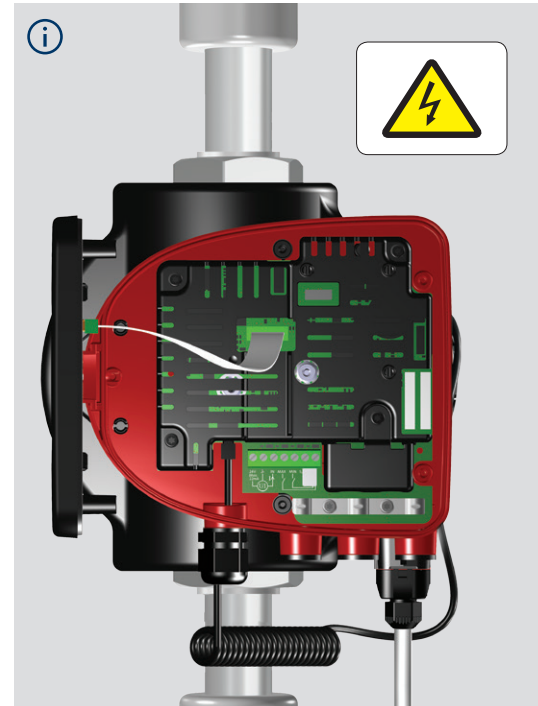
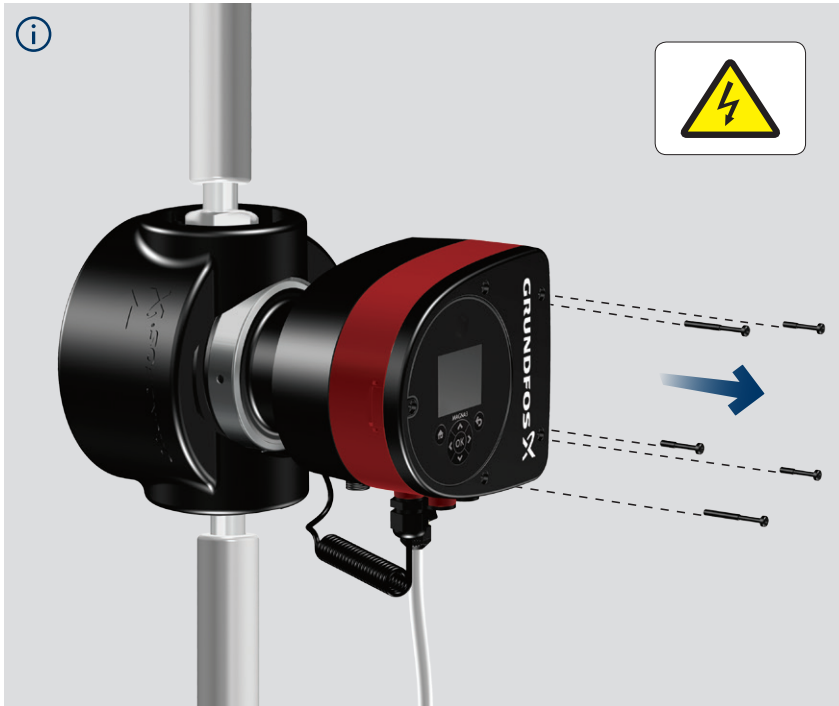
i

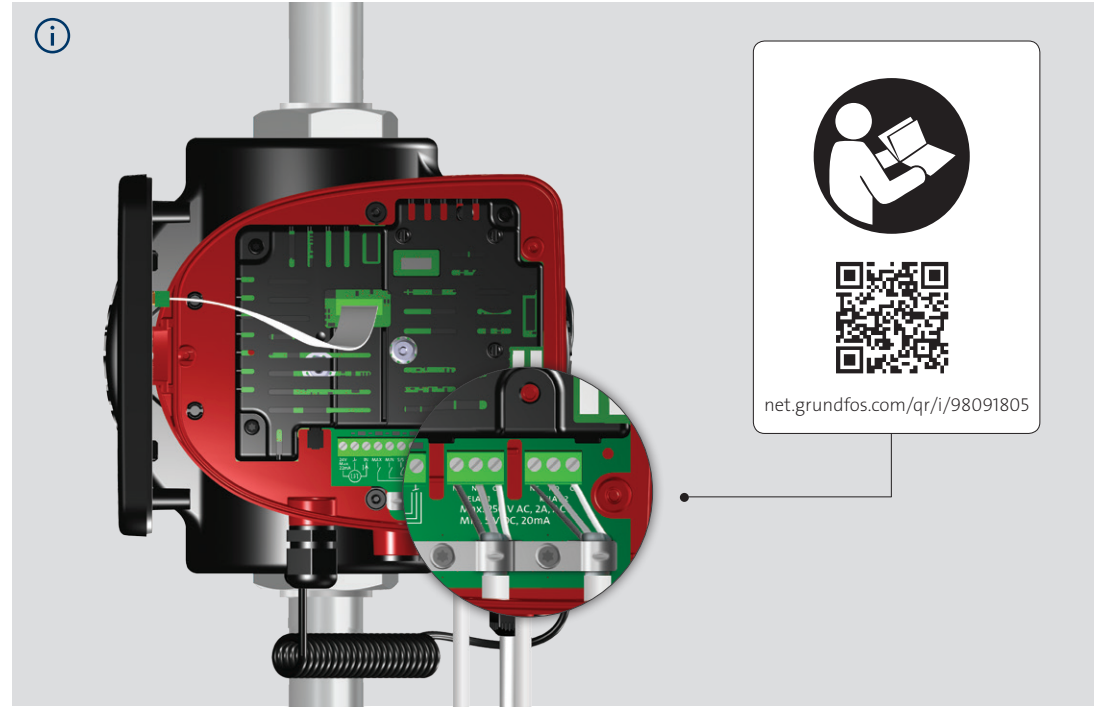
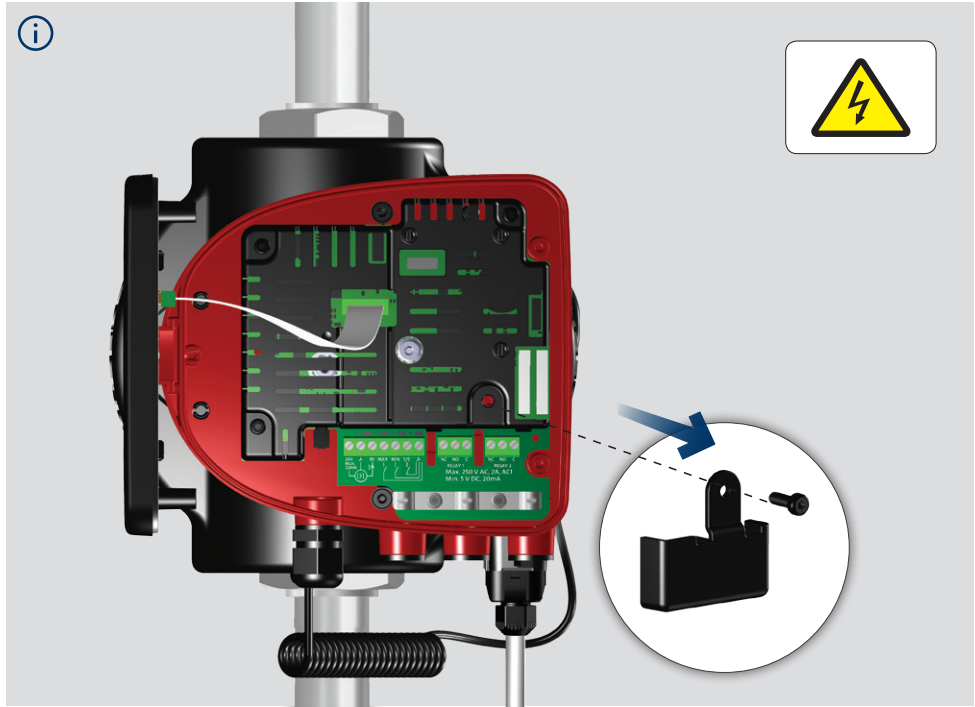


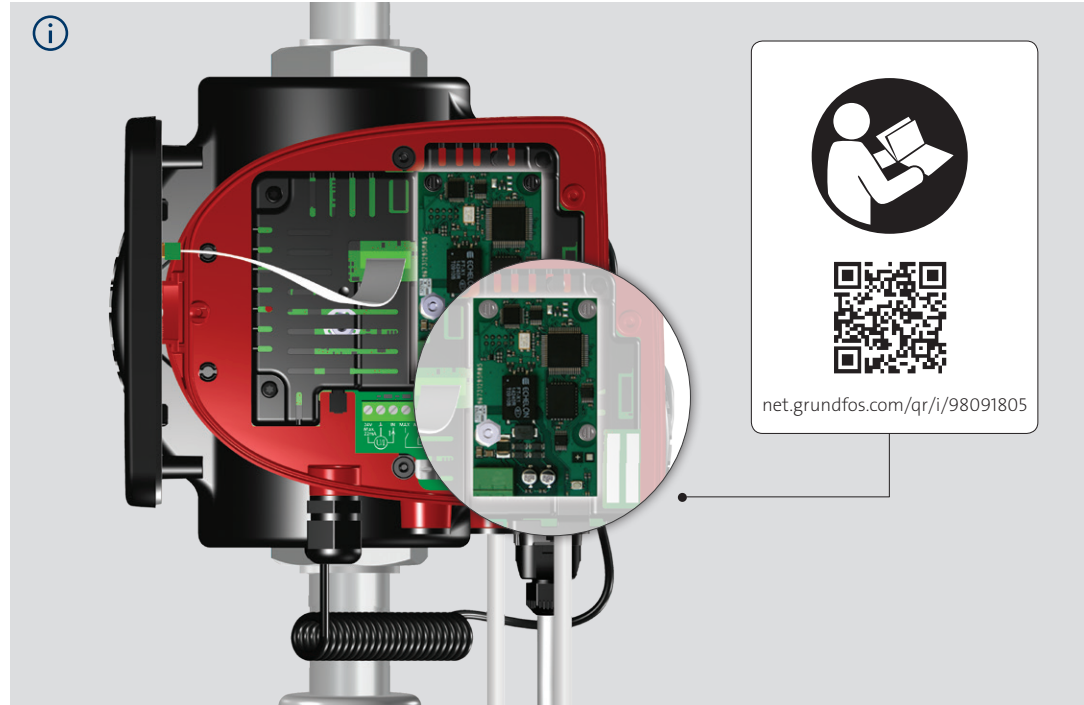
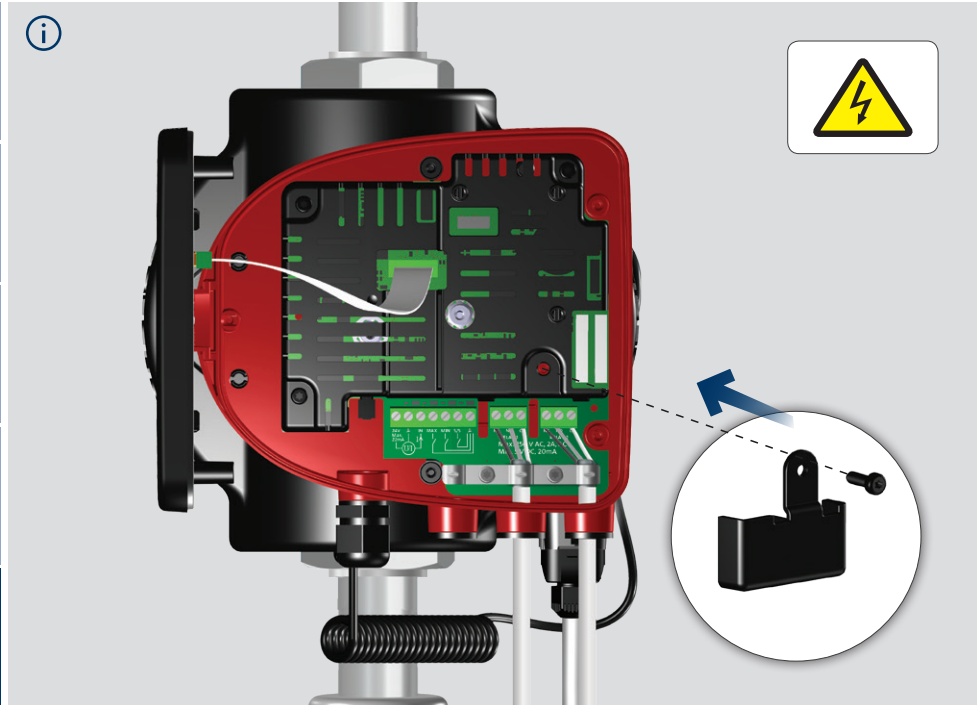
Further product documentation

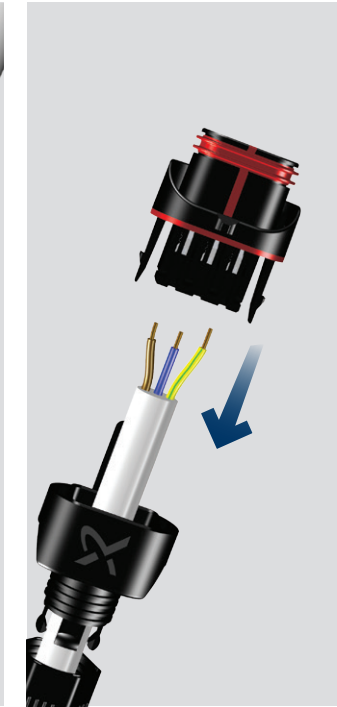
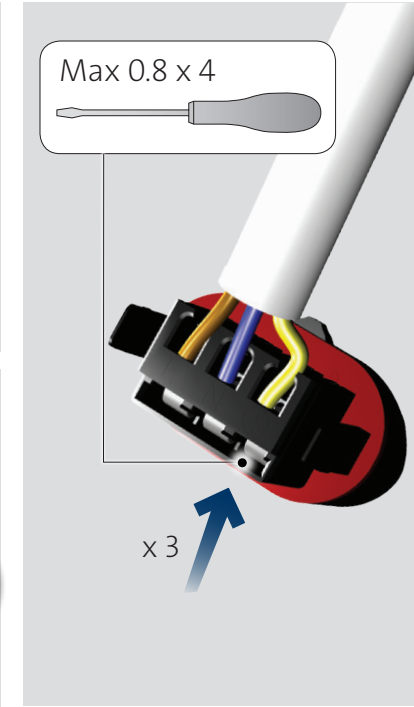
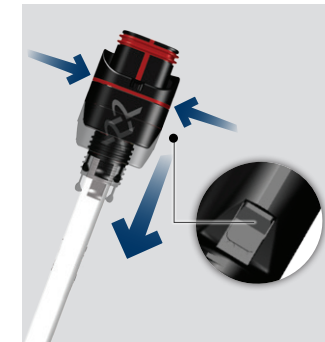
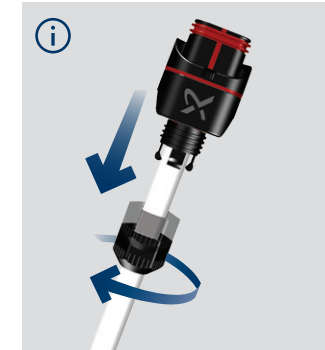


net.grundfos.com/qr/i/98091805











Installation date: _____

Installer:

98474143 0317

ECM: 1187410

GRUNDFOS Holding A/S
Poul Due Jensens Vej 7
DK-8850 Bjerringbro
Tel: +45 87 50 14 00
www.grundfos.com

The name Grundfos, the Grundfos logo, and be think innovate are registered trademarks owned by Grundfos Holding A/S or Grundfos A/S, Denmark. All rights reserved worldwide.