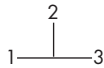




T-STÜCK MIT AG
MALE TEE
RACCORDO A T MASCHIO

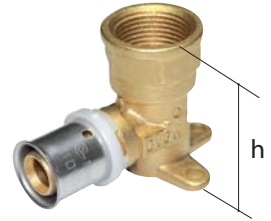


ART. NUMBER ARTICLE NUMBER ARTICOLO	ABMESSUNG SIZE MISURE			EURO
87.22.160	16 x 2 - 1/2" - 16 x 2	10	50	
87.22.161	16 x 2,25 - 1/2" - 16 x 2,25	10	50	
87.22.180	18 x 2 - 1/2" - 18 x 2	10	50	
87.22.200	20 x 2 - 1/2" - 20 x 2	10	40	
87.22.201	20 x 2 - 3/4" - 20 x 2	10	40	
87.22.202	20 x 2,5 - 1/2" - 20 x 2,5	10	40	
87.22.251	25 x 2,5 - 3/4" - 25 x 2,5	5	20	
87.22.252	25 x 2,5 - 1" - 25 x 2,5	5	20	
87.22.260	26 x 3 - 1/2" - 26 x 3	5	20	
87.22.261	26 x 3 - 3/4" - 26 x 3	5	20	
87.22.262	26 x 3 - 1" - 26 x 3	5	20	
87.22.320	32 x 3 - 3/4" - 32 x 3	1	20	
87.22.321	32 x 3 - 1" - 32 x 3	1	15	
87.22.400	40 x 3,5 - 1" - 40 x 3,5	1	15	
87.22.500	50 x 4 - 1 1/4" - 50 x 4	1	5	
87.22.501	50 x 4 - 1 1/2" - 50 x 4	1	5	



WANDWINKEL
KURZ 90°

WALLPLATE ELBOW-SHORT
90°

GOMITO FEMMINA
FLANGIATO 90°



3 FACH BOHRUNG • 3 FIXING HOLES • 3 FORI FISSAGGIO

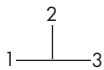
ART. NUMBER ARTICLE NUMBER ARTICOLO	ABMESSUNG SIZE MISURE			EURO
87.24.140	14 x 2 - 1/2" h. 39 mm ● ●	10	50	
87.24.145	16 x 2 - 3/8" h. 39 mm ● ●	10	50	
87.24.159	16 x 2,25 - 1/2" h. 39 mm ● ●	10	50	
87.24.160	16 x 2 - 1/2" h. 39 mm ● ●	10	50	
87.24.161	16 x 2 - 1/2" h. 52 mm	10	40	
87.24.180	18 x 2 - 1/2" h. 52 mm	10	40	
87.24.200	20 x 2 - 1/2" h. 52 mm	10	40	
87.24.201	20 x 2 - 3/4" h. 52 mm	10	30	
87.24.202	20 x 2,5 - 1/2" h. 52 mm	10	40	
87.24.203	20 x 2,5 - 3/4" h. 52 mm	10	30	
87.24.250	25 x 2,5 - 3/4" h. 52 mm	5	25	
87.24.260	26 x 3 - 3/4" h. 52 mm	5	25	



* Für Montageschienen - Seite 65/66 * For mounting plates - Page 65/66

* Per montaggio piastra - Pag. 65/66

- Wichtig: Vor dem Wandeinbau verpressen!
- Important: To be pressed ahead wall installation
- Importante: Deve essere pressato prima dell'installazione a muro

T-STÜCK MIT IG
FEMALE TEE
RACCORDO A T FEMMINA

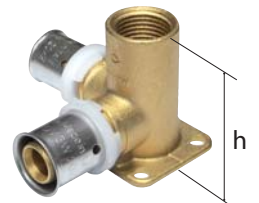




ART. NUMBER ARTICLE NUMBER ARTICOLO	ABMESSUNG SIZE MISURE			EURO
87.23.160	16 x 2 - 1/2" - 16 x 2	10	50	
87.23.161	16 x 2,25 - 1/2" - 16 x 2,25	10	50	
87.23.180	18 x 2 - 1/2" - 18 x 2	10	50	
87.23.181	18 x 2 - 3/4" - 18 x 2	10	50	
87.23.200	20 x 2 - 1/2" - 20 x 2	10	40	
87.23.201	20 x 2 - 3/4" - 20 x 2	10	40	
87.23.202	20 x 2,5 - 1/2" - 20 x 2,5	10	40	
87.23.203	20 x 2,5 - 3/4" - 20 x 2,5	10	40	
87.23.250	25 x 2,5 - 1/2" - 25 x 2,5	5	20	
87.23.252	25 x 2,5 - 3/4" - 25 x 2,5	5	20	
87.23.260	26 x 3 - 1/2" - 26 x 3	5	20	
87.23.261	26 x 3 - 1/2" - 20 x 2	5	20	
87.23.263	26 x 3 - 3/4" - 26 x 3	5	20	
87.23.320	32 x 3 - 1/2" - 32 x 3	1	20	
87.23.321	32 x 3 - 3/4" - 32 x 3	1	20	
87.23.322	32 x 3 - 1" - 32 x 3	1	15	
87.23.323	32 x 3 - 1 1/4" - 32 x 3	1	15	
87.23.400	40 x 3,5 - 1" - 40 x 3,5	1	15	
87.23.401	40 x 3,5 - 1 1/4" - 40 x 3,5	1	10	
87.23.500	50 x 4 - 1 1/4" - 50 x 4	1	5	
87.23.501	50 x 4 - 1 1/2" - 50 x 4	1	5	
87.23.631	63 x 6 - 1" - 63 x 6	1	5	
87.23.632	63 x 6 - 1 1/2" - 63 x 6	1	5	

WANDWINKEL KURZ DOPPELT

WALLPLATE ELBOW-DOUBLE SHORT

GOMITO FEMMINA FLANGIATO
DOPPIO CORTO



ART. NUMBER ARTICLE NUMBER ARTICOLO	ABMESSUNG SIZE MISURE			EURO
87.25.160	16 x 2 - 1/2" - 16 x 2 h. 52 mm	10	20	
87.25.161	16 x 2,25 - 1/2" - 16 x 2,25 h. 52 mm	10	20	
87.25.180	18 x 2 - 1/2" - 18 x 2 h. 52 mm	10	20	
87.25.200	20 x 2 - 1/2" - 20 x 2 h. 52 mm	10	20	

3 FACH BOHRUNG • 3 FIXING HOLES • 3 FORI FISSAGGIO

- AUF ANFRAGE - ON REQUEST - SU ORDINAZIONE
- SONDERABMESSUNGEN - SPECIAL SIZES - MISURE SPECIALI

WANDWINKEL LANG 90°
WALLPLATE ELBOW-LONG 90°
GOMITO FEMMINA FLANGIATO
LUNGO 90°



ART. NUMMER ARTICLE NUMBER ARTICOLO	ABMESSUNG SIZE MISURE				
87.26.160	16 x 2 - 1/2"	h 78 mm	5	25	EURO
87.26.200	20 x 2 - 1/2"	h 78 mm	5	25	EURO
87.26.201	20 x 2,5 - 1/2"	h 78 mm	5	25	EURO

3 FACH BOHRUNG • 3 FIXING HOLES • 3 FORI FISSAGGIO

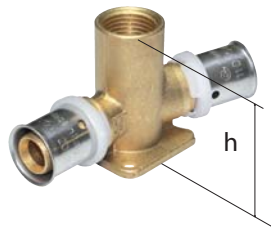
WANDDURCHFÜHRUNG
MIT VERDREHSCHUTZ
3/4" AG x 1/2" IG
CISTERN CONNECTOR 3/4" M x 1/2" F
GOMITO FLANGIATO
PER CISTERNA 3/4" M x 1/2" F



ART. NUMMER ARTICLE NUMBER ARTICOLO	ABMESSUNG SIZE MISURE				
87.33.105	16 x 2	h 78 mm	5	25	EURO
87.33.115	20 x 2	h 78 mm	5	25	EURO

3 FACH BOHRUNG • 3 FIXING HOLES • 3 FORI FISSAGGIO

WANDWINKEL FÜR
SERIENVERBINDUNGEN
WALLPLATE ELBOW
FOR SERIES CONNECTIONS
ATTACCO FLANGIATO PASSANTE
PER COLLEGAMENTO IN SERIE



ART. NUMMER ARTICLE NUMBER ARTICOLO	ABMESSUNG SIZE MISURE				
87.26.205	16 x 2 - 1/2" F - 16 x 2	h 52 mm	10	20	EURO
87.26.210	20 x 2 - 1/2" F - 20 x 2	h 52 mm	10	20	EURO

3 FACH BOHRUNG • 3 FIXING HOLES • 3 FORI FISSAGGIO

UP - SPÜLKASTENWINKEL
WC CISTERN ELBOW
GOMITO PER CISTERNA



ART. NUMMER ARTICLE NUMBER ARTICOLO	ABMESSUNG SIZE MISURE				
87.28.160	16 x 2 - 1/2"		5	30	EURO
87.28.180	18 x 2 - 1/2"		5	30	EURO
87.28.200	20 x 2 - 1/2"		5	30	EURO

WANDWINKEL DOPPELT U-FORM
WALLPLATE ELBOW U-SHAPED
ATTACCO A MURO AD U



ART. NUMMER ARTICLE NUMBER ARTICOLO	ABMESSUNG SIZE MISURE				
87.27.160	16x2 - 1/2" - 16x2		5	15	EURO
87.27.200	20x2 - 1/2" - 20x2		5	15	EURO

UP - SPÜLKASTEN T-STÜCK
WC CISTERN T-PIECE
RACCORDO A T PER CISTERNA





ART. NUMMER ARTICLE NUMBER ARTICOLO	ABMESSUNG SIZE MISURE				
87.29.160	16 x 2 - 1/2" - 16 x 2		10	30	EURO
87.29.200	20 x 2 - 1/2" - 20 x 2		10	30	EURO

SONDERABMESSUNGEN - SPECIAL SIZES - MISURE SPECIALI

WINKEL 45°
ELBOW 45°
GOMITO 45°





ART. NUMBER ARTICLE NUMBER ARTICOLO	ABMESSUNG SIZE MISURE			EURO
87.30.250	25 x 2,5	5	40	
87.30.260	26 x 3	5	40	
87.30.320	32 x 3	1	20	
87.30.400	40 x 3,5	1	20	
87.30.500	50 x 4	1	5	

ENDSTÜCK FÜR LEITUNGSTEST
FÜR THERMOMETER

TEST PLANT FITTING FOR THERMOMETER

TERMINALE PROVA IMPIANTO
PORTATERMOMETRO



ART. NUMBER ARTICLE NUMBER ARTICOLO	ABMESSUNG SIZE MISURE			EURO
87.80.494	1/2" F. - 16 x 2	10	100	
87.80.495	1/2" F. - 20 x 2	10	100	



PRÜFUNG-STOPFEN ROT
PRESSURE TEST PLUGS - RED
TAPPO IN PLASTICA
PROVA IMPIANTI - ROSSO



ART. NUMBER ARTICLE NUMBER ARTICOLO	ABMESSUNG SIZE MISURE			EURO
87.80.490	1/2" M		50	

PRESSSTOPFEN
STOP END
TAPPI CIECHI A PRESSARE



ART. NUMBER ARTICLE NUMBER ARTICOLO	ABMESSUNG SIZE MISURE			EURO
87.31.140	14x2	10	150	
87.31.160	16x2	10	150	
87.31.180	18x2	10	150	
87.31.200	20x2	10	150	
87.31.250	25x2,5	5	100	
87.31.260	26x3	5	100	
87.31.320	32x3	1	60	
87.31.400	40x3,5	1	40	
87.31.500	50x4	1	30	

PRÜFUNG-STOPFEN BLAU
PRESSURE TEST PLUGS - BLUE
TAPPO IN PLASTICA
PROVA IMPIANTI - BLU





ART. NUMBER ARTICLE NUMBER ARTICOLO	ABMESSUNG SIZE MISURE			EURO
87.80.491	1/2" M		50	

WINKELVERSCHRAUBUNG
MIT AG 90°

MALE ANGLE SCREW
CONNECTOR 90°

GOMITO PER
RACCORDO MASCHIO 90°





ART. NUMBER ARTICLE NUMBER ARTICOLO	ABMESSUNG SIZE MISURE			EURO
87.34.160	16x2 - 1/2"	10	40	
87.34.200	20x2 - 1/2"	10	40	
87.34.201	20x2 - 3/4"	10	30	

• AUF ANFRAGE - ON REQUEST - SU ORDINAZIONE
SONDERABMESSUNGEN - SPECIAL SIZES - MISURE SPECIALI

WINKELVERSCHRAUBUNG MIT IG 90°
FEMALE ANGLE SCREW CONNECTOR 90°
GOMITO PER RACCORDO FEMMINA 90°





ART. NUMMER ARTICLE NUMBER ARTICOLO	ABMESSUNG SIZE MISURE			EURO
87.35.160	16 x 2 - 1/2"	10	40	
87.35.200	20 x 2 - 1/2"	10	40	
87.35.201	20 x 2 - 3/4"	10	30	

ANSCHLUSSPRESSVERSCHRAUBUNG
MIT EUROKONUS BLANK

CONNECTING SCREW FITTING
WITH EURO CONE RAW



RACCORDO CON TENUTA EUROCONO GIALLO



ART. NUMMER ARTICLE NUMBER ARTICOLO	ABMESSUNG SIZE MISURE			EURO
87.39.160	16 x 2 - 3/4"	10	100	
87.39.180	18 x 2 - 3/4"	10	100	
87.39.200	20 x 2 - 3/4"	10	100	
87.39.260	26 x 3 - 1"	10	70	
87.39.265	32 x 3 - 1"	5	50	

PRESSVERSCHRAUBUNG MIT IG FLACHD.
FEMALE SCREW FITTING, FLAT SEAL
RACCORDO FEMMINA CON TENUTA PIATTA





ART. NUMMER ARTICLE NUMBER ARTICOLO	ABMESSUNG SIZE MISURE			EURO
87.36.160	16 x 2 - 1/2"	10	80	
87.36.161	16 x 2 - 3/4"	10	50	
87.36.200	20 x 2 - 1/2"	10	50	
87.36.201	20 x 2 - 3/4"	10	40	
87.36.260	26 x 3 - 3/4"	5	40	
87.36.261	26 x 3 - 1"	5	30	
87.36.320	32 x 3 - 1"			
Konisch - Tapered - Tenuta conica		1	30	

ANSCHLUSSPRESSVERSCHRAUBUNG
MIT EUROKONUS VERN.

CONNECTING SCREW FITTING
WITH EURO CONE NP.



RACCORDO TENUTA EUROCONO NICHELATO



ART. NUMMER ARTICLE NUMBER ARTICOLO	ABMESSUNG SIZE MISURE			EURO
87.40.160	16 x 2 - 3/4"	10	100	
87.40.180	18 x 2 - 3/4"	10	100	
87.40.200	20 x 2 - 3/4"	10	100	
87.40.260	26 x 3 - 1"	10	70	
87.40.265	32 x 3 - 1"	5	50	



PRESSVERSCHRAUBUNG MIT AG, KONISCH
MALE SCREW FITTING, TAPERED
RACCORDO MASCHIO TENUTA CONICA

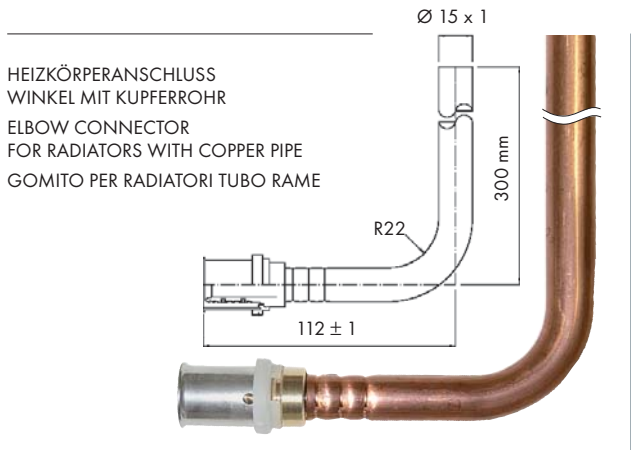


ART. NUMMER ARTICLE NUMBER ARTICOLO	ABMESSUNG SIZE MISURE			EURO
87.37.160	16 x 2 - 1/2"	10	80	
87.37.161	16 x 2 - 3/4"	10	50	
87.37.200	20 x 2 - 1/2"	10	50	
87.37.201	20 x 2 - 3/4"	10	40	
87.37.260	26 x 3 - 3/4"	5	40	
87.37.261	26 x 3 - 1"	5	30	
87.37.320	32 x 3 - 1"	1	30	

ÜBERGANGSPRESSVERSCHRAUBUNG FLACHD.
SCREW CONNECTOR, FLAT SEAL
RACCORDO CON TENUTA PIATTA

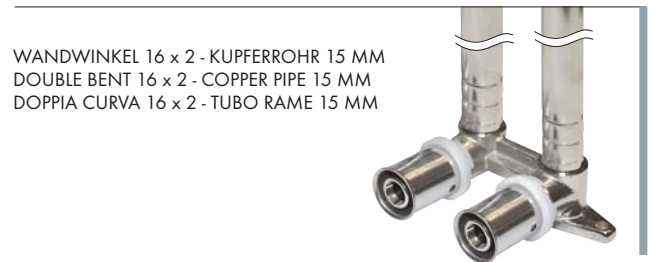


ART. NUMMER ARTICLE NUMBER ARTICOLO	ABMESSUNG SIZE MISURE			EURO
87.42.150	16 x 2 - 1/2"	10	100	
87.42.160	16 x 2 - 3/4"	10	100	
87.42.180	18 x 2 - 3/4"	10	100	
87.42.200	20 x 2 - 3/4"	10	100	
87.42.260	26 x 3 - 1"	5	80	



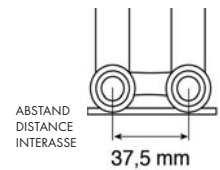
HEIZKÖRPERANSCHLUSS
WINKEL MIT KUPFERROHR
ELBOW CONNECTOR
FOR RADIATORS WITH COPPER PIPE
GOMITO PER RADIATORI TUBO RAME

ART. NUMBER ARTICLE NUMBER ARTICOLO	ABMESSUNG SIZE MISURE			EURO
87.45.185	18 x 2 - 15 mm - 300 mm			



WANDWINKEL 16 x 2 - KUPFERROHR 15 MM
DOUBLE BENT 16 x 2 - COPPER PIPE 15 MM
DOPPIA CURVA 16 x 2 - TUBO RAME 15 MM

ART. NUMBER ARTICLE NUMBER ARTICOLO	ABMESSUNG SIZE MISURE			EURO
87.46.250	15 mm - 16 x 2	1	10	





HEIZKÖRPERANSCHLUSS
WINKEL VERNICKELT
ELBOW CONNECTOR
FOR RADIATORS NP
GOMITO PER RADIATORI NICHELATO

ART. NUMBER ARTICLE NUMBER ARTICOLO	ABMESSUNG SIZE MISURE			EURO
87.45.140	14 x 2 - 15 mm - 300 mm	2	30	
87.45.160	16 x 2 - 15 mm - 300 mm	2	30	
87.45.161	16 x 2 - 15 mm - 1100 mm	2		
87.45.180	18 x 2 - 15 mm - 300 mm	2	30	
87.45.200	20 x 2 - 15 mm - 300 mm	2	30	
87.45.201	20 x 2 - 15 mm - 1100 mm	2		

STEIGSTRANG ANBINDESET
MIT 6 ANSCHLÜSSEN

TEE BY-PASS
T BY-PASS

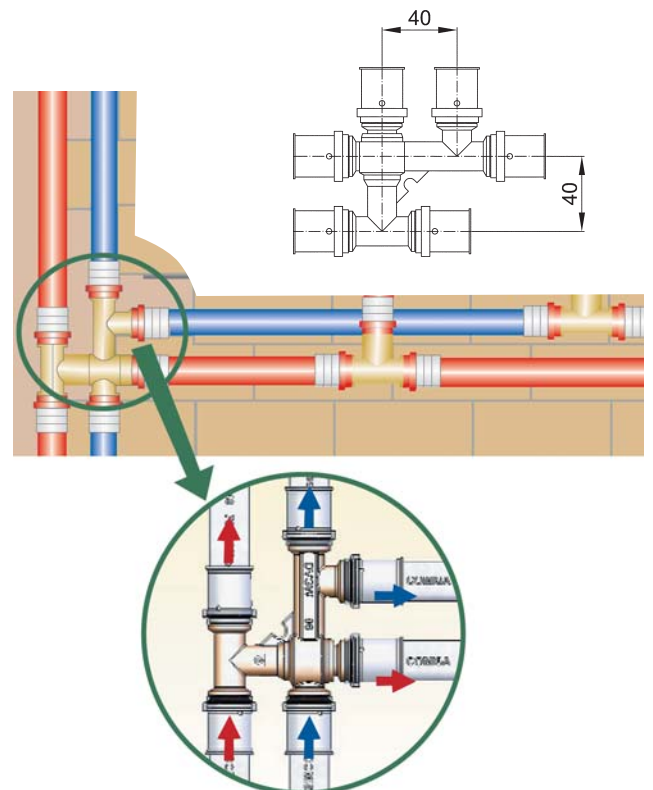


ART. NUMBER ARTICLE NUMBER ARTICOLO	ABMESSUNG SIZE MISURE			EURO
87.49.010	16 x 16 x 16	1	15	
87.49.015	20 x 16 x 16	1	15	
87.49.020	20 x 16 x 20	1	15	
87.49.025	20 x 20 x 20	1	15	



HEIZKÖRPERANSCHLUSS
T-STÜCK VERNICKELT
TEE CONNECTOR
FOR RADIATORS NP
RACCORDO A T PER RADIATORI
NICHELATO



ART. NUMBER ARTICLE NUMBER ARTICOLO	ABMESSUNG SIZE MISURE			EURO
87.46.160	16 x 2 - 15 mm - 300 mm	2	20	
87.46.161	16 x 2 - 15 mm - 1100 mm	2		
87.46.200	20 x 2 - 15 mm - 300 mm	2	20	
87.46.201	20 x 2 - 15 mm - 1100 mm	2		



• AUF ANFRAGE - ON REQUEST - SU ORDINAZIONE


PRESS KUGELHAHN FLÜGELGRIFF
 PRESS BALL VALVE BUTTERFLY HANDLE
 VALVOLA A SFERA CON ATTACCO A PRESSARE
 CON MANIGLIA A FARFALLA



ART. NUMMER ARTICLE NUMBER ARTICOLO	ABMESSUNG SIZE MISURE			EURO
87.50.005	16 x 2	10	30	
87.50.010	20 x 2	10	30	


KUGELHAHN FÜR UNTERPUTZINSTALLATION 1/2"
 MIT KAPPE
 BUILT-IN BALL VALVE 1/2" WITH CAP
 RUBINETTO INCASSO 1/2" CON CAPPuccio



ART. NUMMER ARTICLE NUMBER ARTICOLO	ABMESSUNG SIZE MISURE		EURO
87.50.042	16 x 2	10	
87.50.044	16 x 2,25	10	
87.50.047	18 x 2	10	
87.50.043	20 x 2	10	
87.50.045	20 x 2,5	10	

PRESS KUGELHAHN FLÜGELGRIFF
 PRESS BALL VALVE BUTTERFLY HANDLE
 VALVOLA A SFERA CON ATTACCO A PRESSARE
 CON MANIGLIA A FARFALLA



ART. NUMMER ARTICLE NUMBER ARTICOLO	ABMESSUNG SIZE MISURE			EURO
87.50.014	16 x 2 - 1/2" F	10	30	
87.50.015	20 x 2 - 1/2" F	10	30	

EINBAU-KUGELHAHN FÜR UNTERPUTZINSTALLATION
 MIT KAPPE UND AUSTAUSCHBAREM OBERTEIL
 BUILT-IN BALL VALVE WITH CAP (INSPECTIONABLE)
 VALVOLA A SFERA DA INCASSO ISPEZIONABILE
 CON CAPPuccio



ART. NUMMER ARTICLE NUMBER ARTICOLO		EURO
87.50.050	30	

EINBAU-KUGELHAHN FÜR UNTERPUTZINSTALLATION
 MIT GRIFF UND AUSTAUSCHBAREM OBERTEIL
 BUILT-IN BALL VALVE WITH HANDLE (INSPECTIONABLE)
 VALVOLA A SFERA DA INCASSO ISPEZIONABILE
 CON MANIGLIA



ART. NUMMER ARTICLE NUMBER ARTICOLO		EURO
87.50.055	30	

SONDERABMESSUNGEN - SPECIAL SIZES - MISURE SPECIALI

EINBAU-KUGELHAHN FÜR UNTERPUTZINSTALLATION
MIT HEBEL UND AUSTAUSCHBAREM OBERTEIL

BUILT-IN BALL VALVE WITH FLAT
HANDLE (INSPECTIONABLE)

VALVOLA A SFERA DA INCASSO
ISPEZIONABILE CON LEVA



ART. NUMBER
ARTICLE NUMBER
ARTICOLO

EURO

87.50.060

PRESS-STECKVERBINDUNG (2 STÜCKE)
QUICK PRESS CONNECTION (2 PIECES)
ATTACCO RAPIDO A PRESSARE (2 PEZZI)



ART. NUMBER
ARTICLE NUMBER
ARTICOLO

ABMESSUNG
SIZE
MISURE

EURO

87.50.100 16 x 2

87.50.101 16 x 2,25

87.50.105 20 x 2

87.50.106 20 x 2,5

UNTERPUTZVERLÄNGERUNG PASSEND
FÜR UP VENTILE 87.50.050 - 055 - 060

EXTENSION KIT FOR BUILT-IN BALL VALVE
(INSPECTIONABLE) FOR ART. 87.50.050 - 055 - 060

KIT PROLUNGA PER VALVOLA A SFERA DA INCASSO
ISPEZIONABILE PER ART. 87.50.050 - 055 - 060



ART. NUMBER
ARTICLE NUMBER
ARTICOLO

EURO

87.50.065

STECKANSCHLUSS MIT MUFFENGEWINDE
(2 STÜCKE)

FEMALE QUICK CONNECTION
(2 PIECES)

ATTACCO RAPIDO FEMMINA (2 PEZZI)



ART. NUMBER
ARTICLE NUMBER
ARTICOLO

ABMESSUNG
SIZE
MISURE

EURO

87.50.080 1/2"

87.50.090 3/4"

UNTERPUTZVERLÄNGERUNG PASSEND
FÜR UP-VENTILE 87.50.042-43-44-45-47

EXTENSION KIT FOR BUILT-IN BALL VALVE
FOR ART. 87.50.042-43-44-45-47

KIT PROLUNGA PER RUBINETTO INCASSO
PER ART. 87.50.042-43-44-45-47



ART. NUMBER
ARTICLE NUMBER
ARTICOLO

EURO

87.50.046

STECKANSCHLUSS MIT AUSSENGEWINDE
(2 STÜCKE)

MALE QUICK CONNECTION
(2 PIECES)

ATTACCO RAPIDO MASCHIO (2 PEZZI)



ART. NUMBER
ARTICLE NUMBER
ARTICOLO

ABMESSUNG
SIZE
MISURE

EURO

87.50.085 1/2"

87.50.095 3/4"

SONDERABMESSUNGEN - SPECIAL SIZES - MISURE SPECIALI

O-RINGS



ART. NUMMER ARTICLE NUMBER ARTICOLO	ABMESSUNG SIZE MISURE	EURO
87.44.160	16 x 2	
87.44.170	17 x 2	
87.44.180	18 x 2	
87.44.200	20 x 2	
87.44.250	25 x 2,5	
87.44.260	26 x 3	
87.44.320	32 x 3	
87.44.400	40 x 3,5	
87.44.500	50 x 4	
87.44.505	63 x 6	

PRESSÜBERGANG + KLEMMVERSCHRAUBUNG

NIPPLES PRESS X COMPRESSION

RACCORDO DIRITTO A PRESSARE
PER ATTACCO TUBO RAME



ART. NUMMER ARTICLE NUMBER ARTICOLO	ABMESSUNG SIZE MISURE	10	200	EURO
87.47.020	16 x 2 - 15 mm •	10	200	
87.47.030	20 x 2 - 22 mm •	10	150	
87.47.035	26 x 3 - 22 mm •	10	100	
87.47.040	26 x 3 - 28 mm •	10	80	

PRESSÜBERGANG + EINSATZ

NIPPLES PRESS + INSERT

RACCORDO A PRESSARE + INSERTO



ART. NUMMER ARTICLE NUMBER ARTICOLO	ABMESSUNG SIZE MISURE	10	200	EURO
87.47.055	16 x 2 - 12 mm vern. - NP •	10	200	
87.47.060	16 x 2 - 15 mm •	10	200	
87.47.070	20 x 2 - 22 mm •	10	150	

PRESSHÜLSEN AUS EDELSTAHL
PRESSURE COLLARS IN STAINLESS STEEL
BUSSOLOTTI IN ACCIAIO INOX



ART. NUMMER ARTICLE NUMBER ARTICOLO	ABMESSUNG SIZE MISURE	EURO
87.43.140	14	
87.43.160	16	
87.43.170	17	
87.43.180	18	
87.43.200	20	
87.43.250	25	
87.43.260	26	
87.43.320	32	
87.43.400	40	
87.43.500	50	
87.43.505	63	

PRESSWINKEL + KLEMMVERSCHRAUBUNG

ELBOW PRESS X COMPRESSION

GOMITO A PRESSARE CON ATTACCO
TUBO RAME



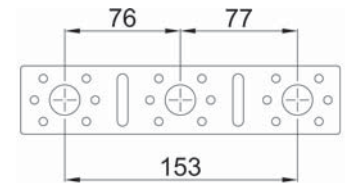
ART. NUMMER ARTICLE NUMBER ARTICOLO	ABMESSUNG SIZE MISURE	10	150	EURO
87.47.110	16 x 2 - 10 mm •	10	150	
87.47.115	16 x 2 - 15 mm •	10	150	

• AUF ANFRAGE - ON REQUEST - SU ORDINAZIONE

SONDERABMESSUNGEN - SPECIAL SIZES - MISURE SPECIALI

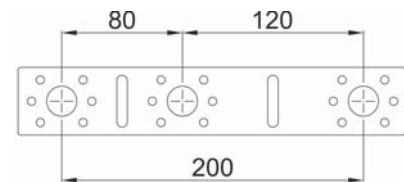
MONTAGEPLATTE (NORMALE AUSFÜHRUNG) MIT 4 BEFESTIGUNGSSCHRAUBEN
 MOUNTING PLATE WITH 4 SCREWS
 STAFFA DI FISSAGGIO COMPLETA DI 4 VITI

ART. NUMBER ARTICLE NUMBER ARTICOLO	ABMESSUNG SIZE MISURE			EURO
87.49.600	153/76 mm	10	50	



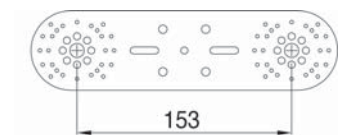
MONTAGEPLATTE (NORMALE AUSFÜHRUNG) MIT 4 BEFESTIGUNGSSCHRAUBEN
 MOUNTING PLATE WITH 4 SCREWS
 STAFFA DI FISSAGGIO COMPLETA DI 4 VITI

ART. NUMBER ARTICLE NUMBER ARTICOLO	ABMESSUNG SIZE MISURE			EURO
87.49.605	120/200 mm	10	50	



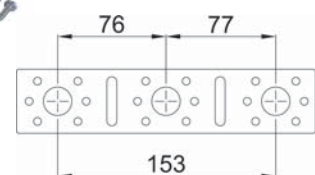
WEISSE KUNSTSTOFFPLATTE MIT 6 BEFESTIGUNGSSCHRAUBEN
 PLASTIC WHITE PLATE WITH 6 SCREWS
 STAFFA BIANCA IN PLASTICA COMPLETA DI 6 VITI


ART. NUMBER ARTICLE NUMBER ARTICOLO	ABMESSUNG SIZE MISURE			EURO
87.49.601	153/76 mm	10	50	





MONTAGESCHIENE(EINBAUTEIL) MIT 6 BEFESTIGUNGSSCHRAUBEN
 BUILT-IN MOUNTING PLATE WITH 6 SCREWS
 STAFFA DI FISSAGGIO AD INCASSO PER ATTACCO A MURO
 H. 39 MM COMPLETA DI 6 VITI

ART. NUMBER ARTICLE NUMBER ARTICOLO	ABMESSUNG SIZE MISURE			EURO
87.49.610	153/76mm	10	50	






SCHIENE - GERADE
STRAIGHT MOUNTING PLATE
STAFFA DI MONTAGGIO DIRITTA

ART. NUMMER ARTICLE NUMBER ARTICOLO	ABMESSUNG SIZE MISURE			EURO
87.49.650	h 56 mm	1	20	






ISO-KAPPE
SOUND-CAP
CAPPUCCIO ISOLANTE

ART. NUMMER ARTICLE NUMBER ARTICOLO	EURO
87.49.670	





SCHIENE - GEBOGEN
BENT MOUNTING PLATE
STAFFA DI MONTAGGIO PRE-PIEGATA

ART. NUMMER ARTICLE NUMBER ARTICOLO	ABMESSUNG SIZE MISURE			EURO
87.49.655	h 56 mm	1	20	



BLECHSCHRAUBEN 4,8X16
SCREWS 4,8X16
VITI 4,8X16

ART. NUMMER ARTICLE NUMBER ARTICOLO		EURO
87.49.675	100	



FIXIERPLÄTTCHEN
BACKING PLATES
CONTROSTAFFA



ART. NUMMER ARTICLE NUMBER ARTICOLO	EURO
87.49.660	




SCHALLSCHUTZSET "ISOLATION"
FÜR WANDWINKEL KURZ 1/2" H.52MM
AUS SCHWARZEM SPEZIALKUNSTSTOFF

SOUNDPROOF ELEMENT
FOR WALLPLATE ELBOW 1/2"
SHORT H 52 MM

ELEMENTO ISOLANTE
PER ATTACCO A MURO 1/2" CORTO
H 52 MM

ART. NUMMER ARTICLE NUMBER ARTICOLO			EURO
87.49.685	10	50	



SCHALLTRENNER
SOUND-SHIELD
BASE IN PLASTICA

ART. NUMMER ARTICLE NUMBER ARTICOLO	EURO
87.49.665	

SCHALLSCHUTZSET "ISOLATION"
 FÜR WANDWINKEL LANG 1/2"
 AUS SCHWARZEM SPEZIALKUNSTSTOFF

SOUNDPROOF ELEMENT
 FOR WALLPLATE ELBOW 1/2" LONG

ELEMENTO ISOLANTE
 PER ATTACCO A MURO 1/2" LUNGO



ART. NUMBER
 ARTICLE NUMBER
 ARTICOLO



EURO

87.49.686

10 40

BIEGEZANGE
 PLIERS
 PIEGATRICE



ART. NUMBER
 ARTICLE NUMBER
 ARTICOLO

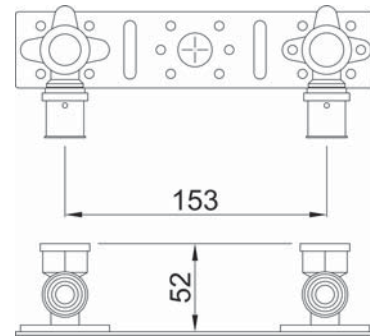
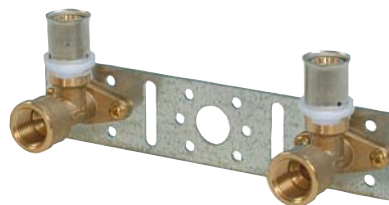


EURO

87.49.680

1 1

WANDWINKEL MONTIERT IM SET
 WALLPLATE ELBOW ASSEMBLED IN SET
 KIT PIASTRA CON 2 GOMITI FEMMINA FLANGIATI MONTATI



ART. NUMBER
 ARTICLE NUMBER
 ARTICOLO

ABMESSUNG
 SIZE
 MISURE



EURO

87.54.005 16 x 2 - 1/2"

1 20

87.54.019 20 x 2 - 1/2"

1 20

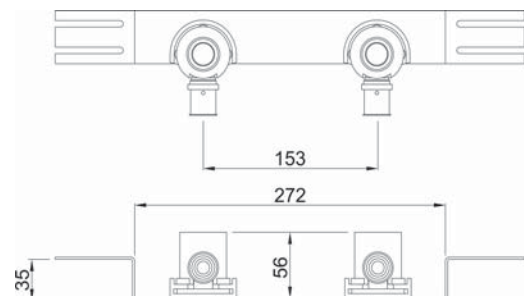
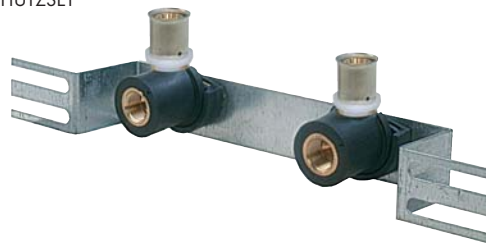
87.54.020 20 x 2 - 3/4"

1 20

KOMPLETTSET BESTEHEND AUS 2 WANDWINKELN
 KURZ 1/2"- 16 x 2 H. 52 mm 2 ISOLATIONEN SCHALLSCHUTZSET
 AUS SCHWARZEM SPEZIALKUNSTSTOFF
 MONTIERT AUF MONTAGESCHIENE

WALLPLATE ELBOW 16 x 2 - 1/2" H. 52 mm
 WITH SOUNDPROOF ELEMENTS ASSEMBLED IN SET

KIT PIASTRA CON 2 ATTACCHI A MURO MONTATI
 16 x 2 - 1/2" F H. 52 mm COIBENTATI



ART. NUMBER
 ARTICLE NUMBER
 ARTICOLO

ABMESSUNG
 SIZE
 MISURE



EURO

87.54.030 16 x 2 1/2"

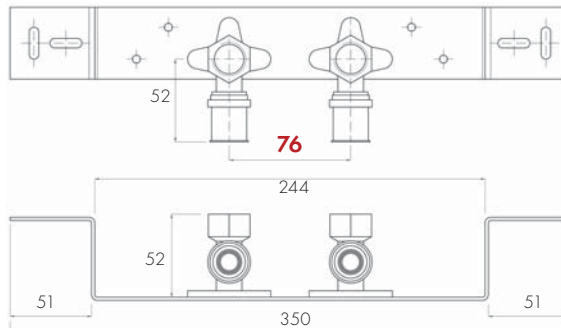
10 20

NEW

MONTAGEINHEIT KOMPLETT MONTIERT MIT 2 DECKENWINKELN
ABSTAND 76 mm

SANITARY MOUNTING PLATE ASSEMBLED
WITH 2 WALLPLATE ELBOWS, DISTANCE 76 mm

STAFFA SANITARIO MONTATA
COMPLETA DI 2 GOMITI FEMMINA FLANGIATI
INTERASSE 76 mm.

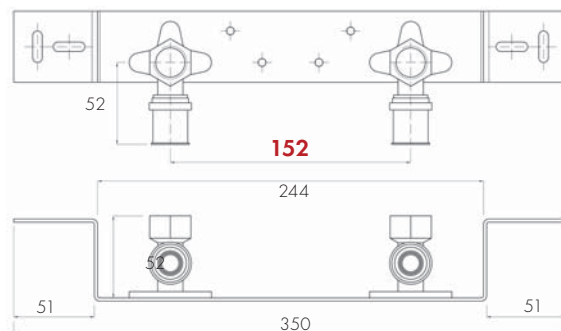




ART. NUMMER ARTICLE NUMBER ARTICOLO	ABMESSUNG SIZE MISURE			EURO
87.54.060	1/2" - 16 x 2	1	15	
87.54.061	1/2" - 20 x 2	1	15	

MONTAGEINHEIT KOMPLETT MONTIERT MIT 2 DECKENWINKELN
ABSTAND 152 mm

SANITARY MOUNTING PLATE ASSEMBLED
WITH 2 WALLPLATE ELBOWS, DISTANCE 152 mm

STAFFA SANITARIO MONTATA
COMPLETA DI 2 GOMITI FEMMINA FLANGIATI
INTERASSE 152 mm.



ART. NUMMER ARTICLE NUMBER ARTICOLO	ABMESSUNG SIZE MISURE			EURO
87.54.065	1/2" - 16 x 2	1	15	
87.54.066	1/2" - 20 x 2	1	15	



MONTAGEINHEIT NICHT MONTIERT
MIT 2 DECKENWINKELN
UND 6 SCHRAUBENSETS

SANITARY MOUNTING PLATE
WITH 2 WALLPLATE ELBOWS,
WITH 6 SCREWS AND NUTS NOT ASSEMBLED

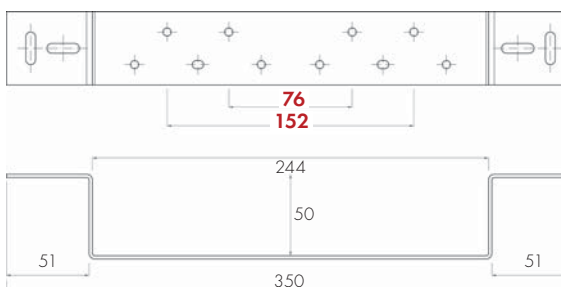
KIT STAFFA SANITARIO NON MONTATA,
COMPLETA DI 2 GOMITI FEMMINA FLANGIATI
6 VITI + 6 DADI DI MONTAGGIO

ART. NUMMER ARTICLE NUMBER ARTICOLO	ABMESSUNG SIZE MISURE			EURO
87.54.070	1/2" - 16 x 2	1	15	
87.54.071	1/2" - 20 x 2	1	15	

MONTAGESCHIENE, ABSTAND 76 - 152 mm
MIT 6 SCHRAUBENSETS

SANITARY MOUNTING PLATE, DISTANCE 76 - 152 mm
WITH 6 SCREWS AND NUTS

STAFFA SANITARIO
INTERASSE 76 - 152 mm
COMPLETA DI 6 VITI
+ 6 DADI DI MONTAGGIO



ART. NUMMER ARTICLE NUMBER ARTICOLO	ABMESSUNG SIZE MISURE			EURO
87.54.075				