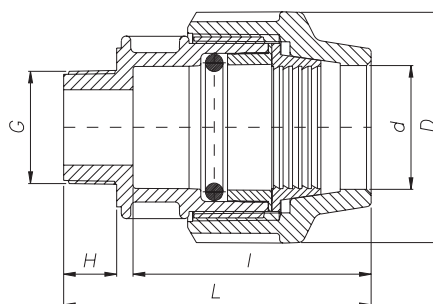


## CODE 1003

Male adaptor - Anschlussverschraubung mit aussengewinde - Муфта с наружной резьбой



CODE	dxG [mm]	D [mm]	L [mm]	I [mm]	H [mm]	PN [bar]
1003016001001	16x3/8"	42	65	50	13	16
1003016002001	16x1/2"	42	69	50	16	16
1003016003001	16x3/4"	42	69	50	17	16
1003020002001	20x1/2"	46	81	61	16	16
1003020003001	20x3/4"	46	82	61	17	16
1003020004001	20x1"	46	85	61	20	16
1003025002001	25x1/2"	55	89	69	16	16
1003025003001	25x3/4"	55	90	69	17	16
1003025004001	25x1"	55	93	69	20	16
1003032002001	32x1/2"	63	98	76	16	16
1003032003001	32x3/4"	63	98	76	17	16
1003032004001	32x1"	63	101	76	20	16
1003032005001	32x1"1/4	63	104	76	23	16
1003040004001	40x1"	79	108	82	21	16
1003040005001	40x1"1/4	79	117	82	29	16
1003040006001	40x1"1/2	79	117	82	28	16
1003040007001	40x2"	79	120	82	34	16
1003050004001	50x1"	96	128	99	23	16
1003050005001	50x1"1/4	96	133	99	28	16
1003050006001	50x1"1/2	96	133	99	28	16
1003050007001	50x2"	96	137	99	32	16
1003063005001	63x1"1/4	115	157	120	28	16
1003063006001	63x1"1/2	115	157	120	28	16
1003063007001	63x2"	115	161	120	32	16
1003063008001	63x2"1/2	115	158	120	29	16
1003076007001	75x2"	129	171	135	27	16
1003076008001	75x2"1/2	129	178	135	34	16
1003076009001	75x3"	129	178	135	34	16
1003091007001	90x2"	155	200	158	34	16
1003091008001	90x2"1/2	155	200	158	34	16
1003091009001	90x3"	155	200	158	34	16
1003091010001	90x4"	155	200	158	36	16
1003111007001	110x2"	183	247	198	34	16
1003111009001	110x3"	183	250	198	37	16
1003110010001	110x4"	183	250	200	37	16