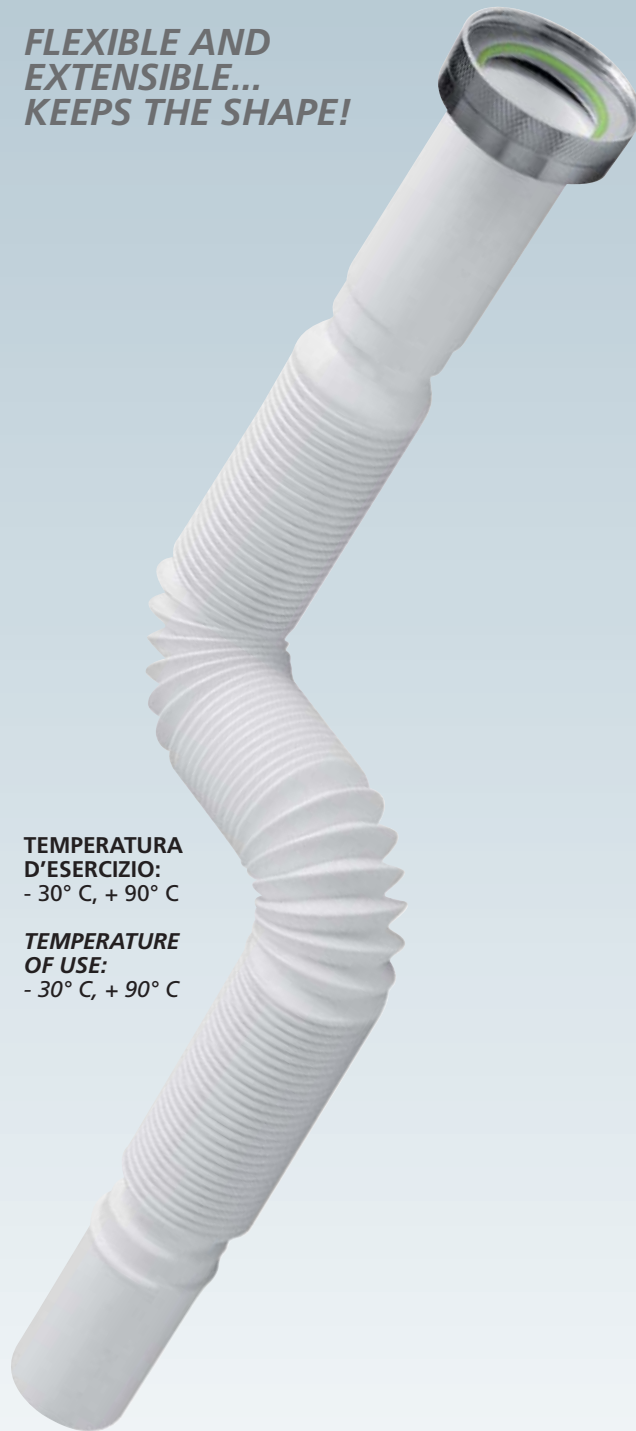


# MagikOne

**FLESSIBILE ED ESTENSIBILE...  
MANTIENE LA PIEGATURA!**

**FLEXIBLE AND  
EXTENSIBLE...  
KEEPS THE SHAPE!**



**TEMPERATURA  
D'ESERCIZIO:**  
- 30° C, + 90° C

**TEMPERATURE  
OF USE:**  
- 30° C, + 90° C

**ATTENZIONE:** Gli spessori di questi prodotti non ne permettono l'installazione sotto traccia!

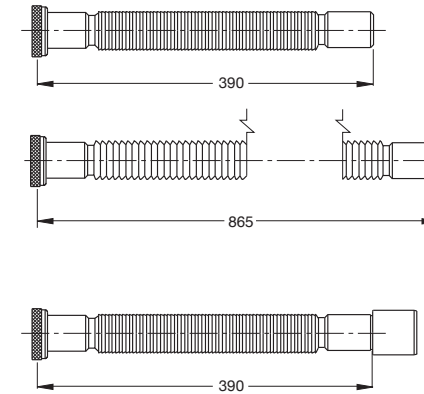
**ATTENTION:** The thickness of these items does not allow the installation under chase!



"MAGIKONE" tubo flessibile ed estensibile attacco con ghiera girevole in metallo cromato  
"MAGIKONE" flexible and extensible pipe connection with turning chromium-plated metal nut

**Materiale:** polipropilene PP  
**Material:** polypropylene PP

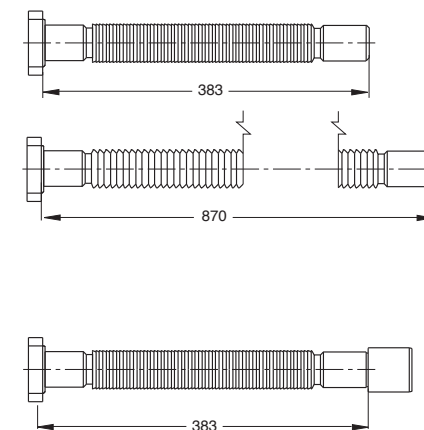
**Colore:** bianco  
**Colour:** white



"MAGIKONE" tubo flessibile ed estensibile attacco con ghiera girevole in plastica  
"MAGIKONE" flexible and extensible pipe connection with turning plastic nut

**Materiale:** polipropilene PP  
**Material:** polypropylene PP

**Colore:** bianco  
**Colour:** white



# MagikOne



Codice / Code	Descrizione / Description	Euro	Conf./Pack
9326OT44B 0	Ghiera metallo cromato1" manicotto ø 26 mm Chromium-plated metal nut 1", coupling ø 26 mm		50/100
9332OT44B 0	Ghiera metallo cromato1" manicotto ø 32 mm Chromium-plated metal nut 1", coupling ø 32 mm		50/100
9332OT54B 0	Ghiera metallo cromato1"1/4 manicotto ø 32 mm Chromium-plated metal nut 1"1/4, coupling ø 32 mm		50/100
9340OT54B 0	Ghiera metallo cromato1"1/4 manicotto ø 40 mm Chromium-plated metal nut 1"1/4, coupling ø 40 mm		50/100
9340OT64B 0	Ghiera metallo cromato1"1/2 manicotto ø 40 mm Chromium-plated metal nut 1"1/2, coupling ø 40 mm		50/100
9350OT64B 0	Ghiera metallo cromato1"1/2 manicotto ø 50 mm Chromium-plated metal nut 1"1/2, coupling ø 50 mm		50/100
9334OT54B 0	Ghiera metallo cromato1"14 manicotto ø 32-40 mm Chromium-plated metal nut 1"1/4, coupling ø 32-40 mm		50/100
9345OT64B 0	Ghiera metallo cromato1"1/2 manicotto ø 40-50 mm Chromium-plated metal nut 1"1/2, coupling ø 40-50 mm		50/100



Codice / Code	Descrizione / Description	Euro	Conf./Pack
9326PP44B 0	Ghiera 1" in plastica manicotto ø 26 mm Plastic nut 1", coupling ø 26 mm		50/100
9332PP44B 0	Ghiera 1" in plastica manicotto ø 32 mm Plastic nut 1", coupling ø 32 mm		50/100
9332PP54B 0	Ghiera 1"1/4 in plastica manicotto ø 32 mm Plastic nut 1"1/4, coupling ø 32 mm		50/100
9340PP54B 0	Ghiera 1"1/4 in plastica manicotto ø 40 mm Plastic nut 1"1/4, coupling ø 40 mm		50/100
9340PP64B 0	Ghiera 1"1/2 in plastica manicotto ø 40 mm Plastic nut 1"1/2, coupling ø 40 mm		50/100
9350PP64B 0	Ghiera 1"1/2 in plastica manicotto ø 50 mm Plastic nut 1"1/2, coupling ø 50 mm		50/100
9334PP54B 0	Ghiera 1"1/4 in plastica manicotto ø 32-40 mm Plastic nut 1"1/4, coupling ø 32-40 mm		50/100
9345PP64B 0	Ghiera 1"1/2 in plastica manicotto ø 40-50 mm Plastic nut 1"1/2, coupling ø 40-50 mm		50/100

